

NELSON HEAT TRACING SYSTEMS

TH4X325 THERMOSTAT

SPECIFICATION / APPLICATION

INSTALLATION

DESCRIPTION



ENCLOSURE

Die Cast Aluminum
NEMA 4X

TEMPERATURE RANGE

Range
-3.9 to 178°C (25 to 325°F)

CAPILLARY

Length	Material	Max. Bulb Temp.
3m (10ft.)	Stainless Steel	185°C (366°F)

ELECTRICAL DATA

CSA Rating
22 amp resistance 480VAC

UL Rating
22 amp resistance 480VAC

CALIBRATION ACCURACY

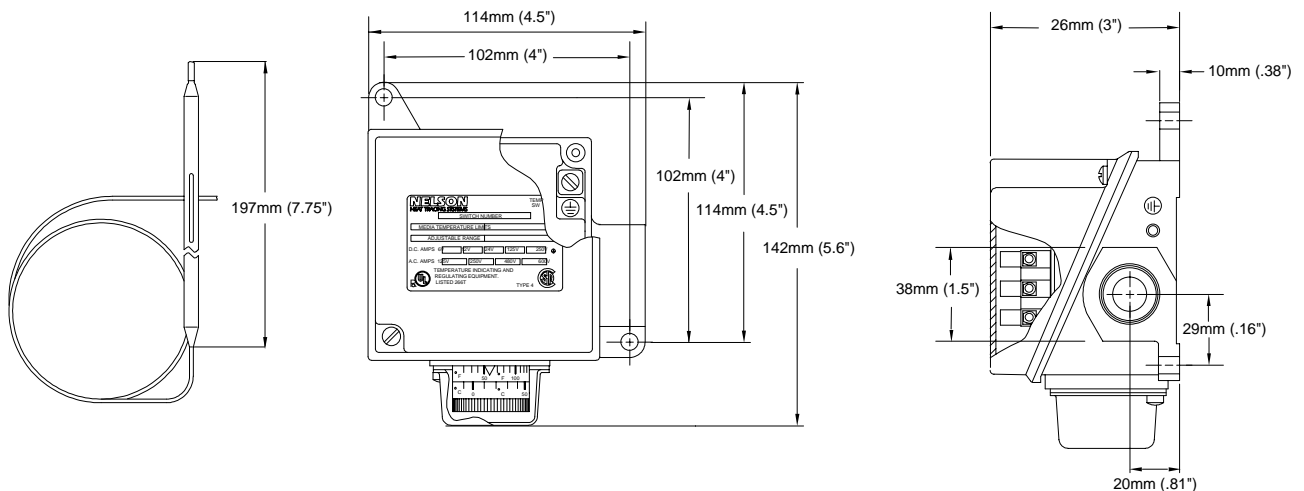
1.6°C (3°F)

SWITCH TYPE

Single Pole Double Throw

These thermostats are used for controlling heat tracing systems in an ordinary locations. The capillary bulb should be mounted on the side of the pipe.

OUTLINE



Annual Maintenance:

1. Remove cover.
2. Spray a coat of lubricant and rust preventative such as CRC Stor & Lube, electrical grade, on the thermostat body.
3. Replace cover.

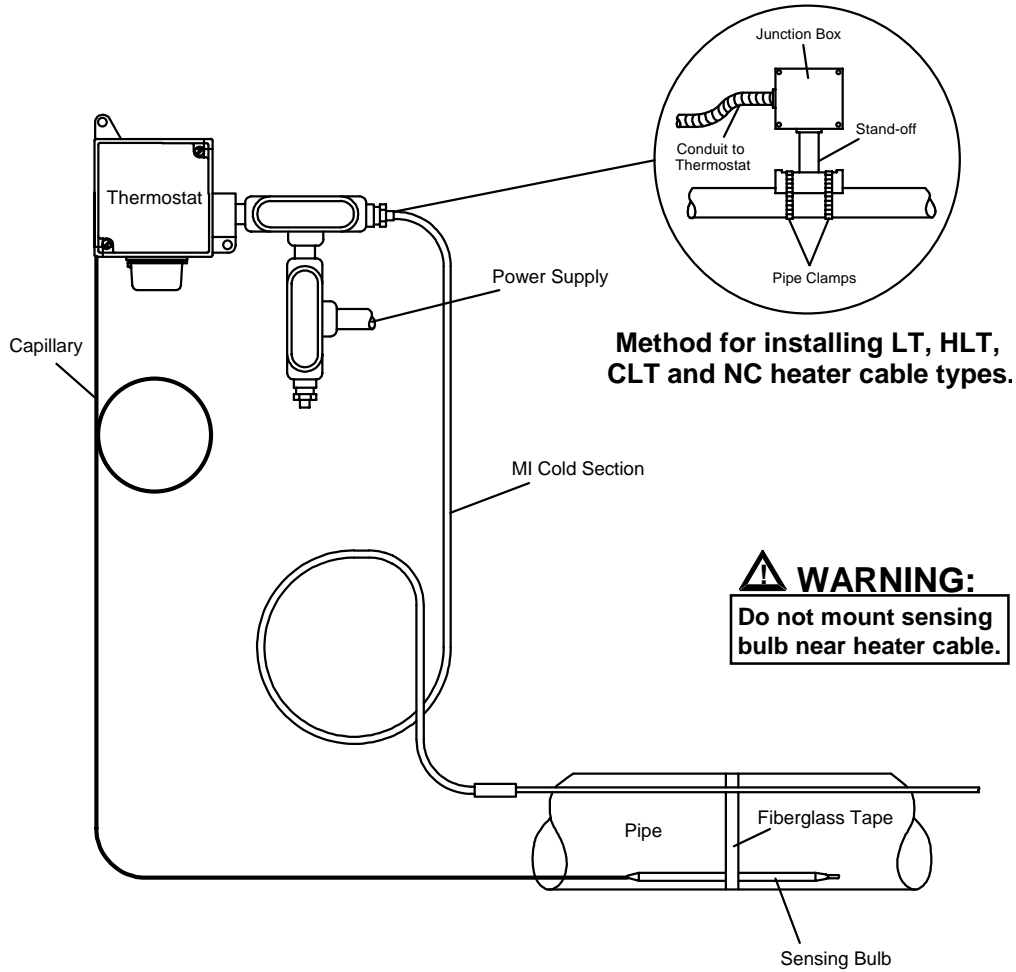
Approvals:

General Locations

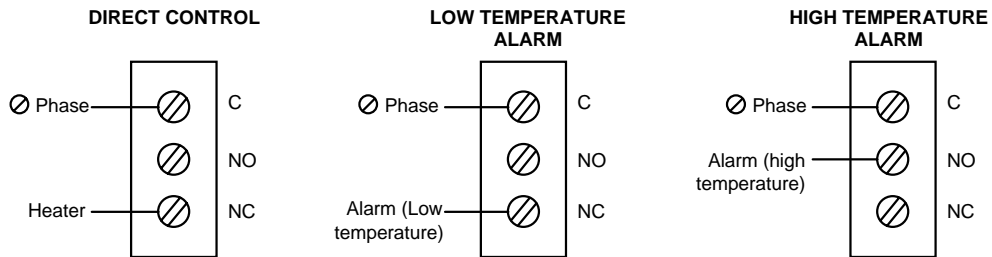
UL - E89748

CSA - LR701949

INSTALLATION



WIRING DIAGRAM



We are pleased to offer suggestions on the use of our products, nevertheless, there are no warranties given except such expressed warranties offered in connection with the sale of a particular product. There are no implied warranties of merchantability or of fitness for a particular purpose given in connection with the sale of any goods. In no event shall Nelson Heat Tracing Systems be liable for consequential, incidental or special damages. The Buyer's sole and exclusive remedy and the limit of Nelson's liability for any loss whatsoever shall not exceed the purchase price paid by the Purchaser for the product or products to which a claim is made.