

NELSON™ HEAT TRACING SYSTEMS

TA7140 THERMOSTAT

SPECIFICATION / APPLICATION

INSTALLATION

DESCRIPTION



ENCLOSURE

Cast Aluminum

CLASSIFICATIONS

NEMA Type 4, 7, 9 IP66

TEMPERATURE RANGE

Range
-9 to 60°C (15 to 140°F)

CAPILLARY

Length	Material	Max. Bulb Temperature
N/A	Stainless Steel	71°C (160°F)

ELECTRICAL DATA

CSA Rating	UL Rating
22 amp Resistance 480VAC	22 amp Resistance 480VAC

CALIBRATION ACCURACY

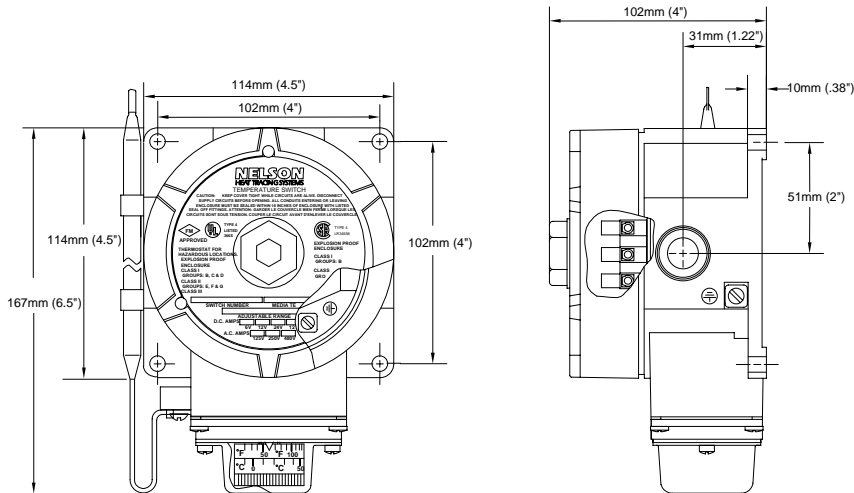
1.1°C (2°F)

SWITCH TYPE

Single Pole Double Throw

These thermostats are for ambient temperature control in hazardous locations.

OUTLINE



Annual Maintenance:

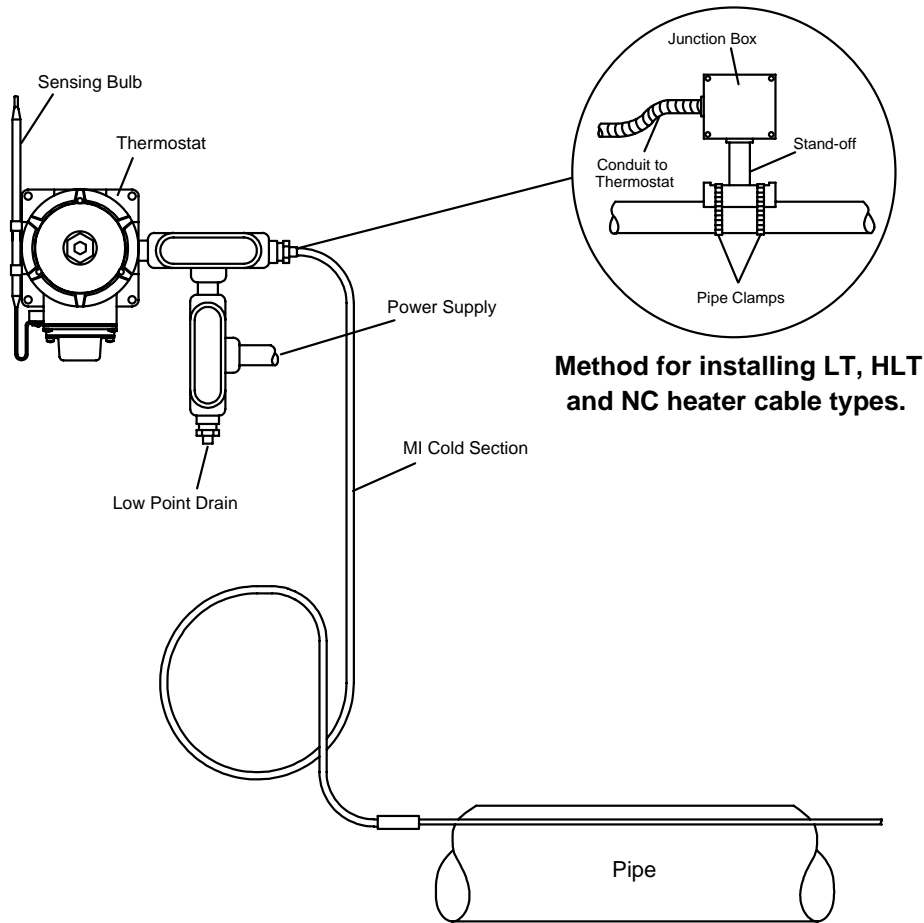
1. Remove knob.
2. Lubricate dial stem and spray a coat of lubricant and rust preventative such as CRC Stor & Lube, electrical grade, on the thermostat body.
3. Replace knob.

Approvals:

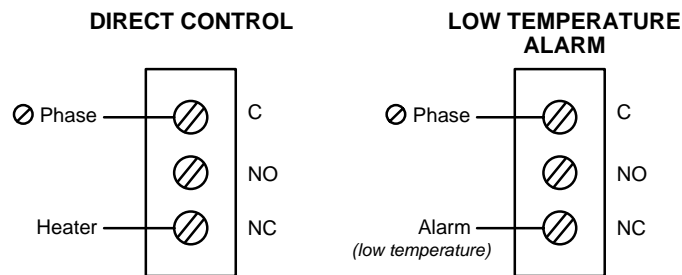
Hazardous Locations

- UL Class I & II, Groups B, C, D, E, F, G- E53121
- FM Class I & II, Groups B, C, D, E, F, G- 1ZIA0.AE
Class I, Zone 1, AEx d IIB+H₂
- CSA Class I & II, Groups B, C, D, E, F, G- LR701950
CIII, Encl. Type 4
Class I, Zone 1, Ex d IIB+ H₂
- LCIE - II 2 G EEx d IIC T6- 2 ATEX 6026

INSTALLATION



WIRING DIAGRAM



Nelson Heat Tracing Systems products are supplied with a limited warranty. Complete Terms and Conditions may be found on Nelson's website at www.nelsonheaters.com.