



SNOW OWL

AERIAL GENERAL-PURPOSE SNOW SENSOR

FEATURES & BENEFITS

- Automatic snow sensor for reduced energy consumption in sidewalk, gutter/downspout snow and ice melting applications
- Slim design minimizes visual impact
- Mounts on 3/4" PVC conduit for easy installation
- Operates on safe low voltage power
- Simple three wire connections: 2 for power, 1 for signal output
- Wire colors match commonly available cable for easier installation
- Convenient power-on self-test to verify proper sensor operation
- Made with UV-tolerant and corrosion-resistant materials for long life
- Made in the U.S.A.

DESCRIPTION

- The ETI Snow Owl is designed to work with a controller or contactor, optimizing energy usage in heated snow/ice melting applications. The ETI Snow Owl is also an excellent solution for building automation applications.
- During dry or warm weather, the system's heaters are turned off to save energy costs. The heaters are turned on only when snow and/or ice is present, and kept on only long enough to ensure complete melting and drying. Temperature and time parameters are preset for optimum system performance.
- Typical applications include controlling snow melting systems or sidewalks, doorways, stairs, loading docks, ramps for the physically challenged and parking garages. Easy installation is another key Snow Owl feature. Low voltage operation, up to 2,000' (609.6m) separation from the control panel, mast or roof mounting, and non-critical extension wiring are just a few of the features making this possible.
- For complete information describing its application, installation and features, please contact Customer Service or check on the web at www.networketi.com.

SPECIFICATIONS

- INPUT POWER**

24V AC 50/60Hz, 24V DC, or 24V full wave rectified AC/
pulsed DC 0.2A max

- OUTPUT**

Relay contacts: 2A max, 30V

Upon sensing snow the Snow Owl will pull the white (snow sense) wire to a near ground potential, which the ETI family of controllers will interpret as a snow signal and respond by initiating a heat cycle.

Relay contacts remain closed during pre-set delay after snow event ends

Three wire connection (2 for power, 1 for relay)

- SET POINT TEMPERATURE**

38°F

- HOLD-ON TIMES**

Set 1 minute

- DIMENSIONS**

3-3/4 inches tall, 1-3/4 inches diameter

- STORAGE TEMPERATURE**

-40°C to +85°C

Can be mounted 500 feet from the controller using 22ga cable, up to 1,000 ft. using 18ga cable and up to 2000 ft. using 14ga cable.

(Depending on load requirements)

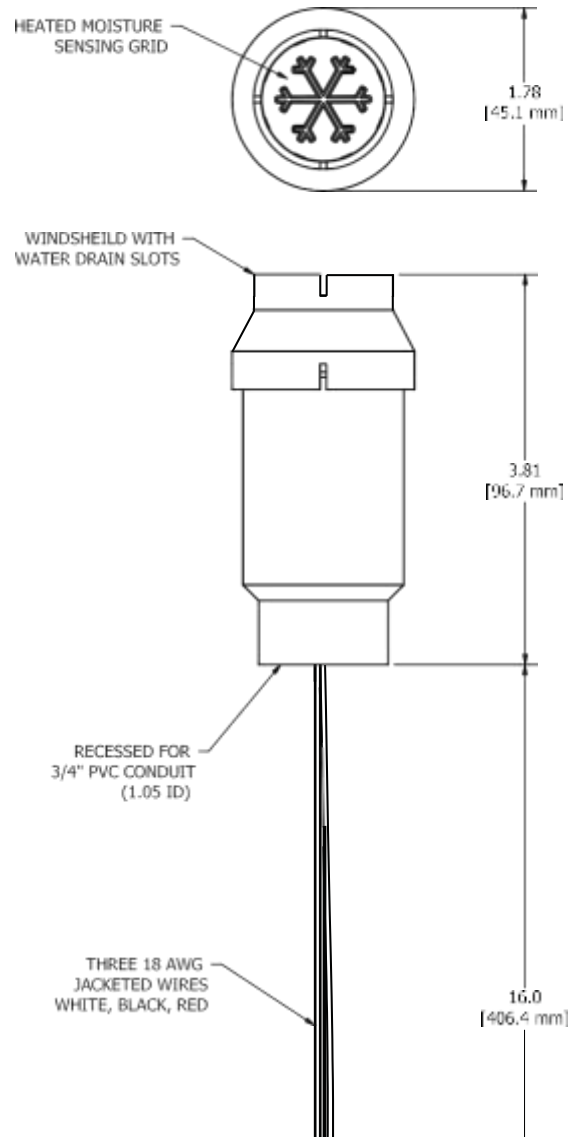
ORDERING INFORMATION

Order Number	Description
25516	Snow Switch ETI Snow Owl
25484	ETI Snow Owl Operation Manual
25518	Installation Sheet
25485	ETI Snow Owl Data Sheet (this document)

LIMITED WARRANTY

ETI's two year limited warranty covering defects in workmanship and materials applies. Contact Customer Service for complete warrant information.

The ETI logo and We Manage Heat are registered trademarks of ETI. ETI Snow Owl is a trademark of ETI. Copyright © 2019 ETI. All rights reserved.



DISCLAIMER

ETI makes no representations or warranties, either expressed or implied, with respect to the contents of this publication or the products that it describes, and specifically disclaims any implied warranties of merchant ability or fitness for any particular purpose. ETI reserves the right to revise this publication, and to make changes and improvements to the products described in this publication, without the obligation of ETI to notify any person or organization of such revisions, changes or improvements.