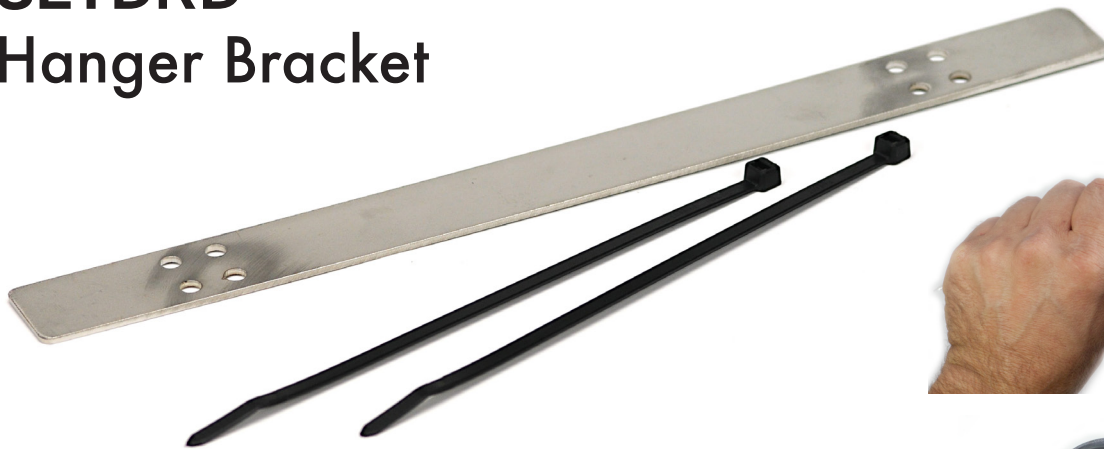


Description	Contents
SLTDRD	5 Hangers
SLTDRD-1	1 Hanger

SLTDRD Hanger Bracket

**STEP ONE:****STEP TWO:**

Installation Instructions

DESCRIPTION:

The SLTDRD downspout hanger is to be used with self-regulating heater cables. Carefully follow these instructions. Do not use other hardware or alternate mounting methods which may damage the heating cable and create an electrical hazard, risk of fire, or poor performance.

Downspout hangers are required to prevent damage to heating cable as it enters or exits the downspout or any other areas where heat cable is installed over sharp or abrasive surfaces. Downspout hangers can also be used as spacers inside the gutters when multiple runs of heating cable are used.

WARNING:

1. Downspout hangers must be installed properly to ensure proper operation and to prevent the risk of electrical hazard or fire .
2. Follow all design, installation, assembly, and test instructions carefully.
3. To minimize the danger of fire from electrical arcing if the heating cable is damaged or improperly installed ground fault equipment protection (GFEP) must be used on each heating cable branch circuit. Arcing may not be stopped by conventional circuit protection.
4. Damaged heating cable can cause arcing or fire. Do not energize damaged heating cable. Repair or replace damaged heating cable prior to applying power.
5. Do not twist cables during installation or embed them in thermal insulation.

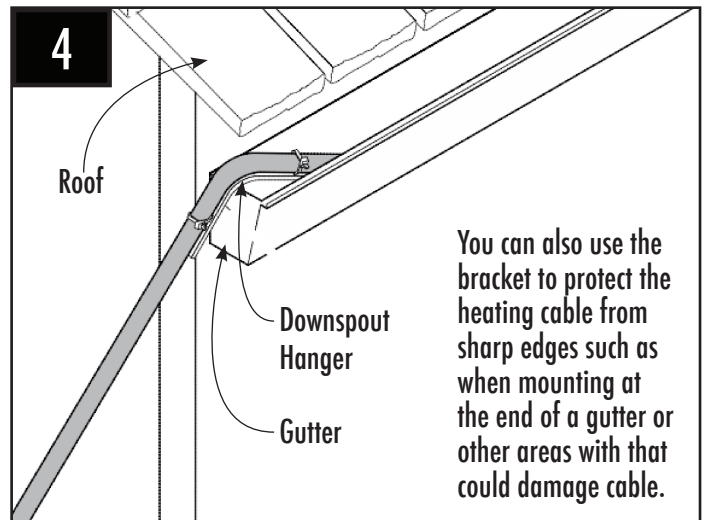
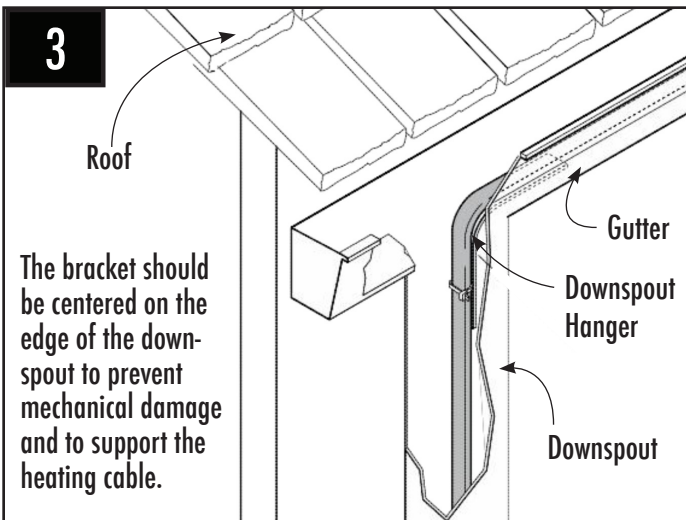
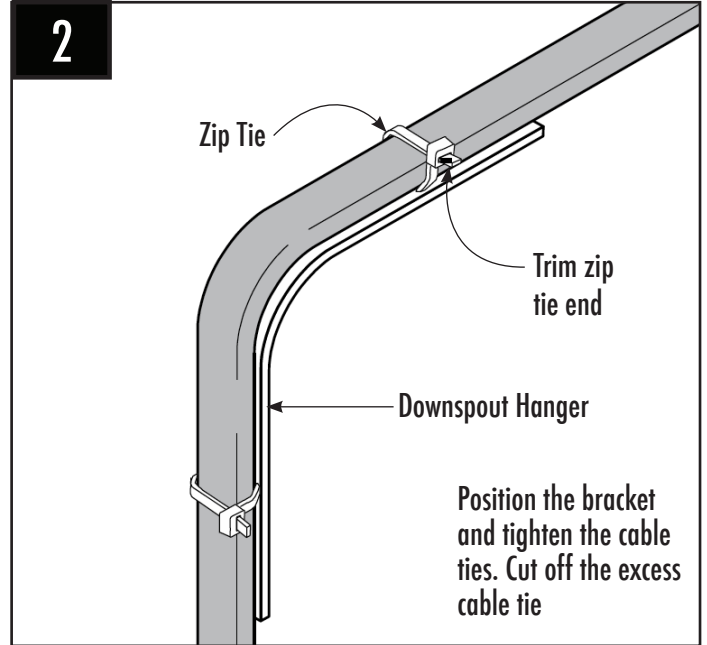
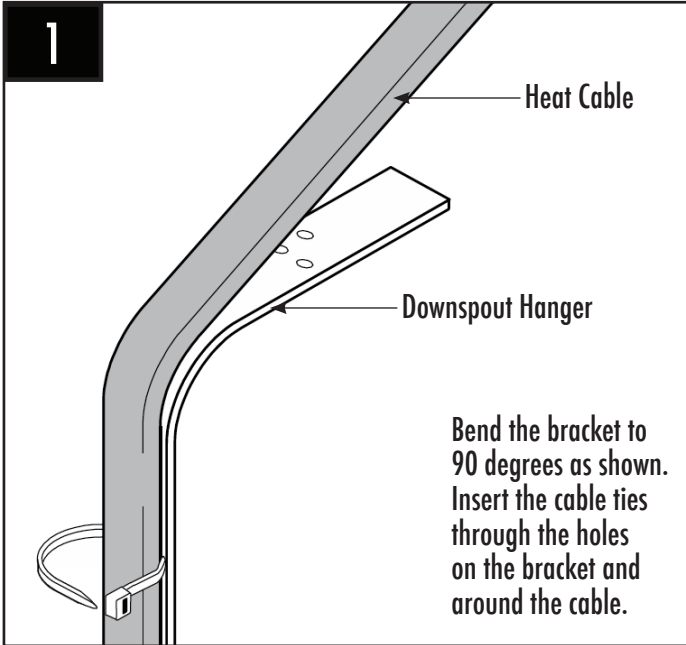
WARNING:

Disconnect all power before installing or servicing the heating cable and accessories. Self-regulating heating cable must be grounded properly in accordance with the National Electrical Code (NEC). Failure to comply can result in personal injury or property damage. Only a qualified licensed electrical contractor shall install and service of self-regulating heating cable and accessories.

Note:-All electrical wiring, including Ground Fault Circuit Interrupters (GFCI), must be done according to the NEC and local codes by a qualified installer. Article 426 of ANSI/NFPA 70 of National Electrical Code (NEC section 62 of CAN/CSA-C22.1, Canadian Electrical Code, Part I (CEC) governs the installation of this heat systems

Read this manual before attempting to install the SLTDRD hanger bracket. Incorrect installation could damage heat trace components.

SLTDRD Hanger Bracket Installation Instructions



Available from:



PO Box 6046
Bend, Oregon 97708
p 541-385-6565
www.tracertech.com